

V-LINK Dynamometer

670601, 671201, 672501, 675501

- Highly accurate and reliable, $\pm 0,2\%$ FS accuracy.
- Very clear red digit LED display. Visible at long distances / in bright daylight.
- IP Class 67. Ideal for wet/humid environments.
- Robust high strength steel construction for use in hostile environments.
- Supplied with full certificate of calibration.
- Delivered in smart carry case from hard ABS plastic.
- Designed and manufactured in DK for high quality assurance.



V-LINK

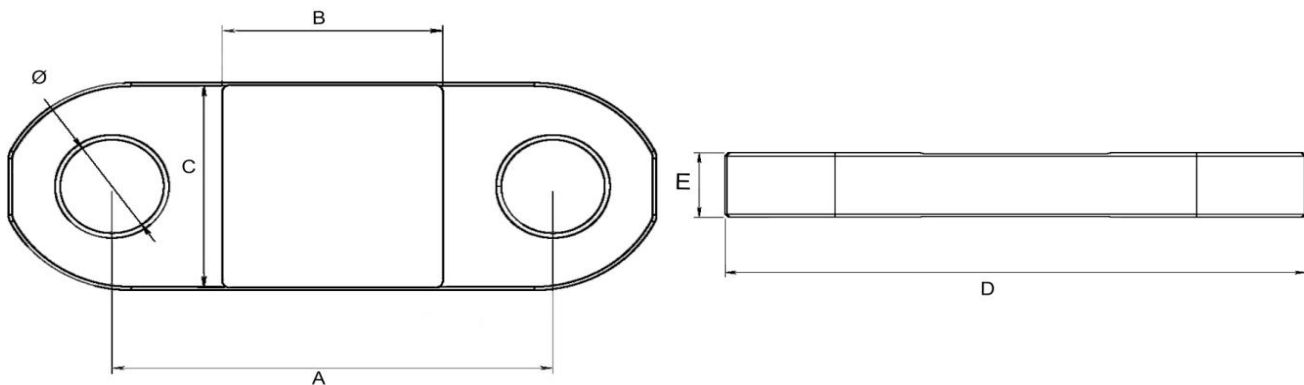
Specifications:

Application:	Crane and hoist calibration and proof load testing
Capacity:	6.5T, 12T, 25T, 55T
Accuracy:	$\pm 0,2\%$ FS
Safe overload:	110%
Materials:	High strength steel housing. Fe/Zn12/A surface treatment according to ISO 2081
IP class:	IP 67
Display:	Bright LED
Digit height:	14 mm
Digit color:	Red
Operating time:	16-20 hours (Operating at low temperatures will decrease the operating time)
Operation temp.:	-20°C - +50°C
Batteries:	Build-in Li-on
Charger:	High quality USB charger

Item No:	Capacity (T)	A (mm)	B (mm)	C (mm)	D (mm)	E (mm)	Ø (mm)	Weight (kg.)	Increment (kg.)
670601	6.5	200.00	115.00	117.00	260.00	41.50	31.00	4.47	5
671201	12	200.00	115.00	117.00	281.00	41.50	37.30	5.65	10
672501	25	230.00	115.00	117.00	338.00	41.50	54.00	7.56	10
675501	55	282.00	115.00	155.00	440.00	46.00	73.00	16.93	20

Accessory options:

WRD TX01 Wireless remote display



Address
Lucernemarken 18 A
DK-5260 Odense S

Bank
Nykredit Bank

Bank Account
DKK 8117-4522421
EUR 8117-9653680

IBAN no.
DKK DK7681170004522421
EUR DK1981170009653680

SWIFT code
NYKBDKDK

VAT no.
27414621

www.vetec.dk

Telephone
+45 6590 5802

Mail
post@vetec.dk